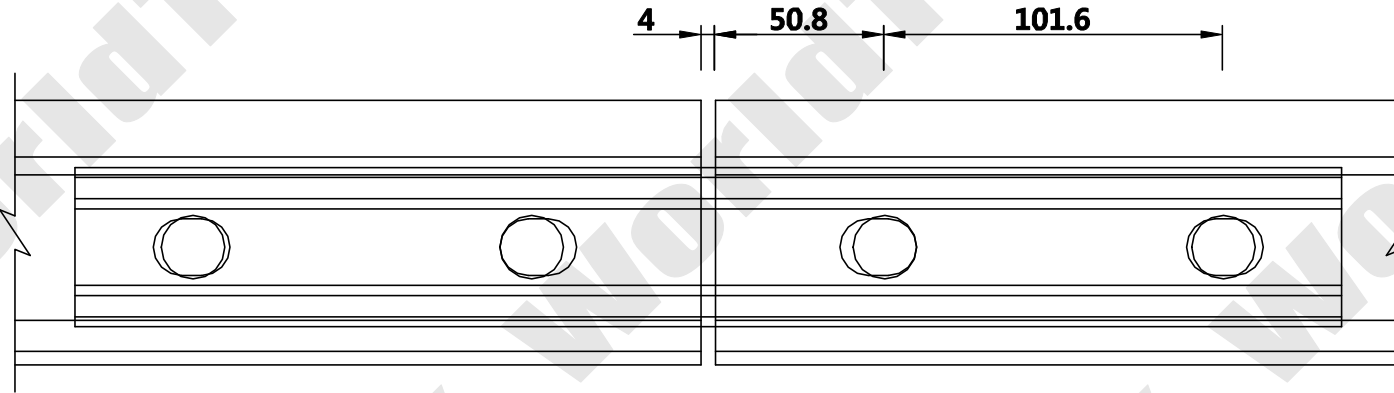
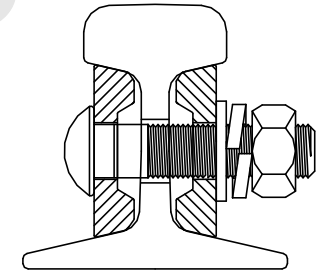


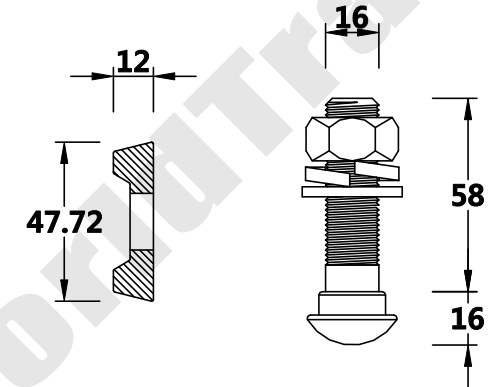
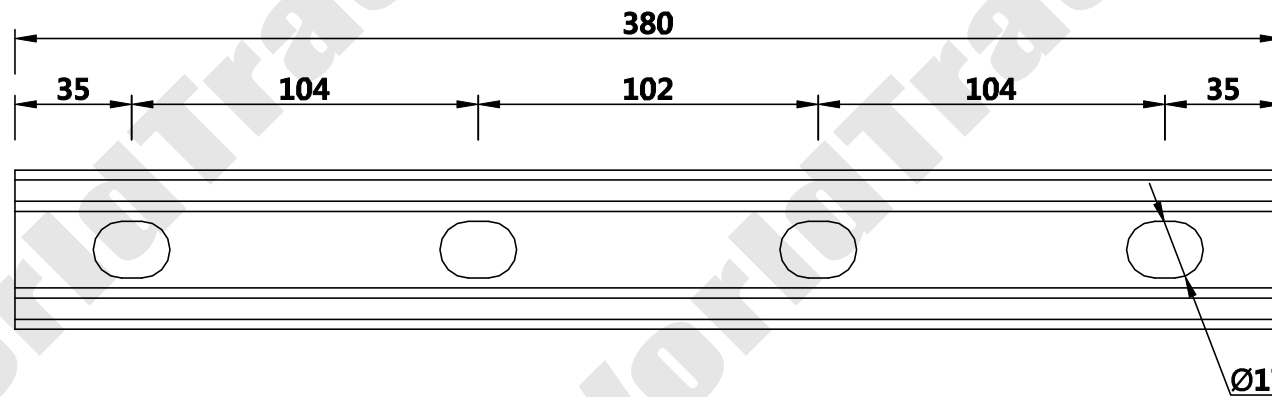
15K Joint Bar



레일 측면도



레일 정면도



WORLD TRACK

THE TECHNICAL DATA CONTAINED IN THIS DRAWING IS PROPERTY OF WORLD TRACK LIMITED AND IS SUBJECT TO COPYRIGHT

WORLD TRACK

TEL : 82)2-2605-2380
 FAX : 82)2-2601-2382
<http://www.world-track.net>
 E-Mail: world-track@hanmail.net

Joint Bar Designation	15/JB-T1-4/장공	Drawing Number	JB-165
Joint Bar Type	Ready-Made	Checked By	Lee Se Wan
Fixing Method	Bolted Fixing	Date	2016 / 03 / 24
Accessory List		Scale	1 / 1 A4
Joint Bar Bolt / Nut / Spring Washer / Washer		ANGLE PROJECTION 