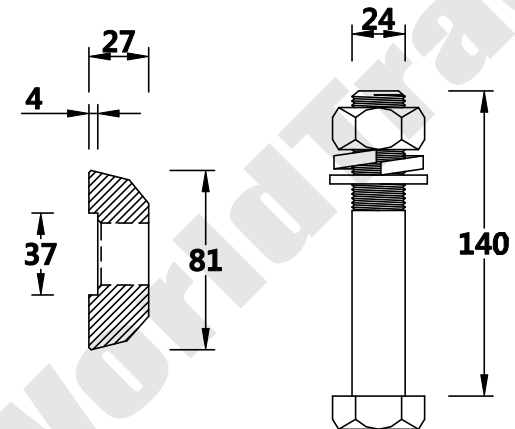
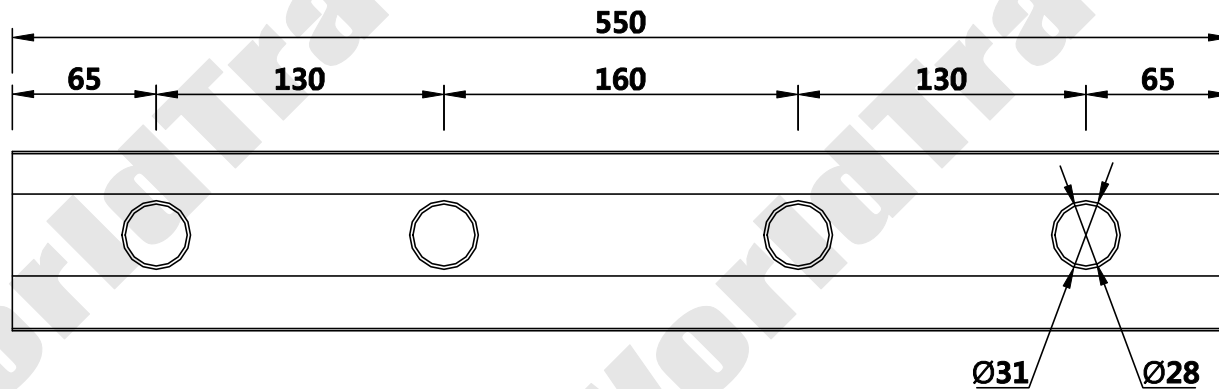
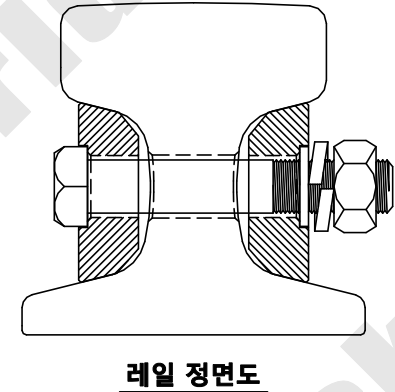
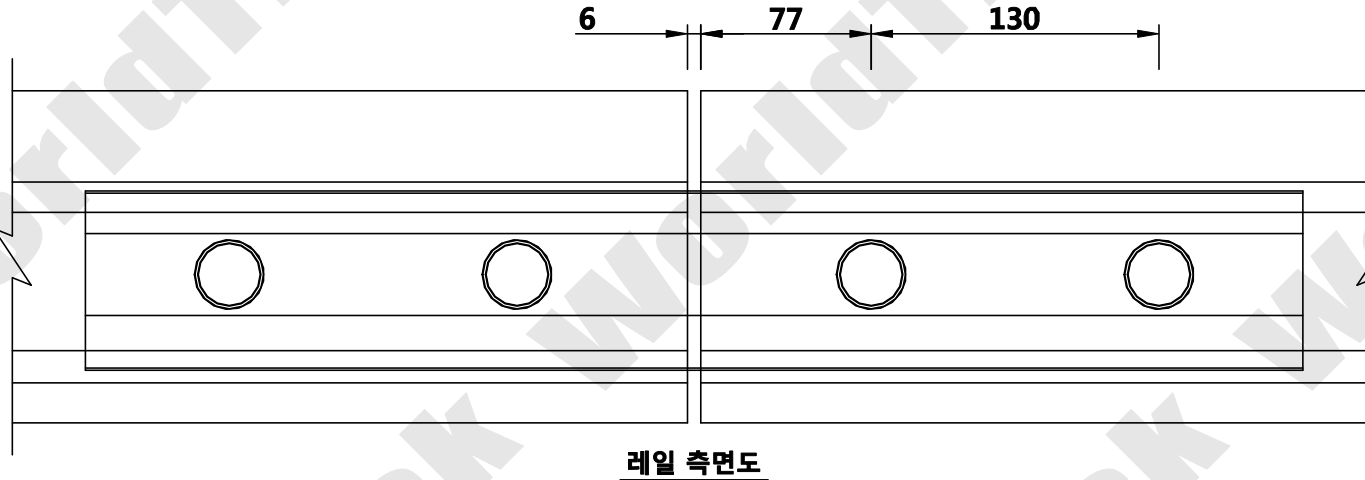


# CR100 Joint Bar



**WORLD TRACK**

THE TECHNICAL DATA CONTAINED IN THIS DRAWING IS PROPERTY OF WORLD TRACK LIMITED AND IS SUBJECT TO COPYRIGHT

**WORLD TRACK**

TEL : 82)2-2605-2380  
 FAX : 82)2-2601-2382  
<http://www.world-track.net>  
 E-Mail: world-track@hanmail.net

Joint Bar Designation	100/JB-T4-6/정공	Drawing Number	JB-325	
Joint Bar Type	Processed Goods	Checked By	Lee Se Wan	
Fixing Method	Bolted Fixing	Date	2016 / 03 / 28	
Accessory List		Scale	1 / 1	A4
Joint Bar Bolt / Nut / Spring Washer / Washer		<b>ANGLE PROJECTION</b>		