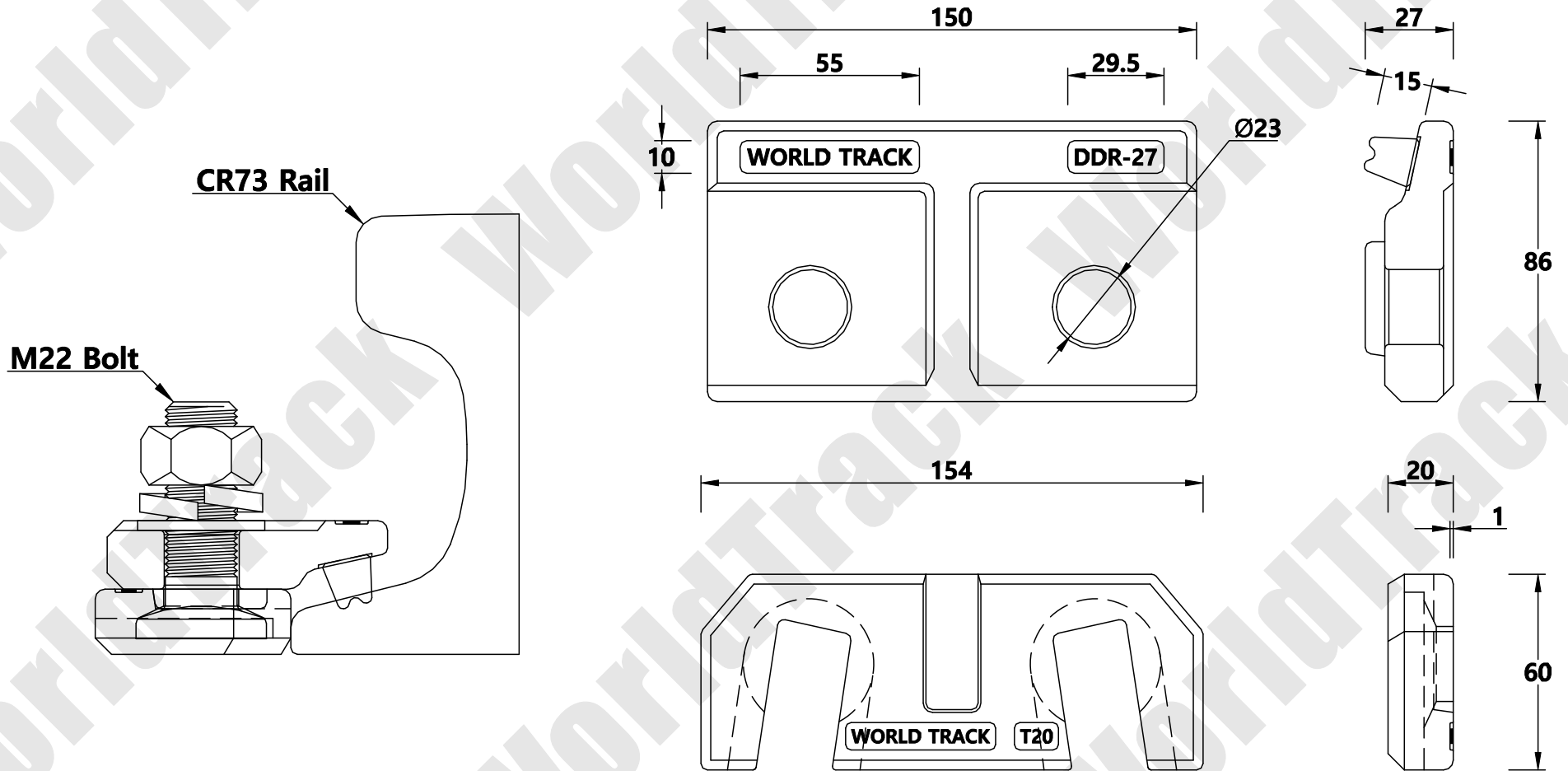


CR73 Clip



WORLD TRACK

THE TECHNICAL DATA CONTAINED IN THIS DRAWING IS PROPERTY OF WORLD TRACK LIMITED AND IS SUBJECT TO COPYRIGHT

WORLD TRACK

TEL : 82)2-2605-2380
 FAX : 82)2-2601-2382
<http://www.world-track.net>
 E-Mail: world-track@hanmail.net

Clip Designation	73/DDR-PN-T1/2720
Clip Type	Double Double Rubber
Fixing Method	Bolted Clip
Accessory List	Clip(상), Clip(하) / Rubber Bolt / Nut / Spring Washer / Washer

Drawing Number	C/DDR-105
Checked By	Lee Se Wan
Date	2016 / 02 / 29
Scale	1 / 1 A4

ANGLE PROJECTION