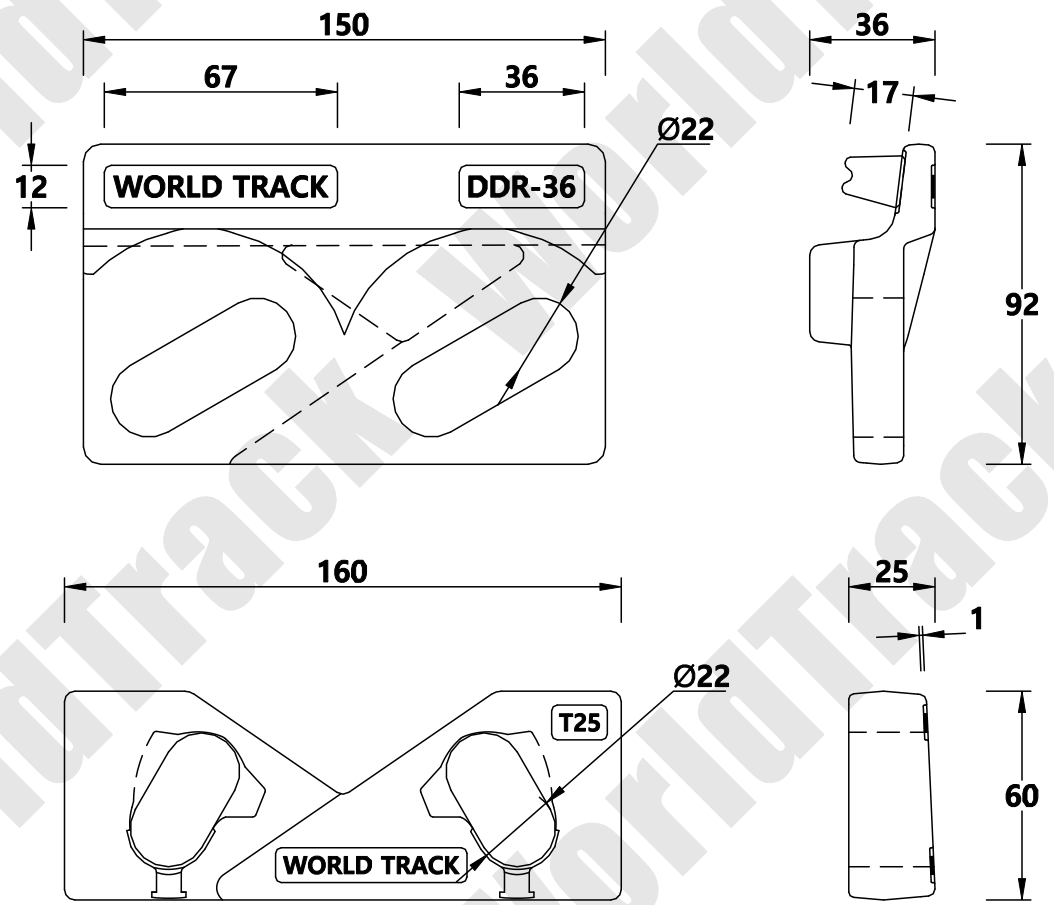
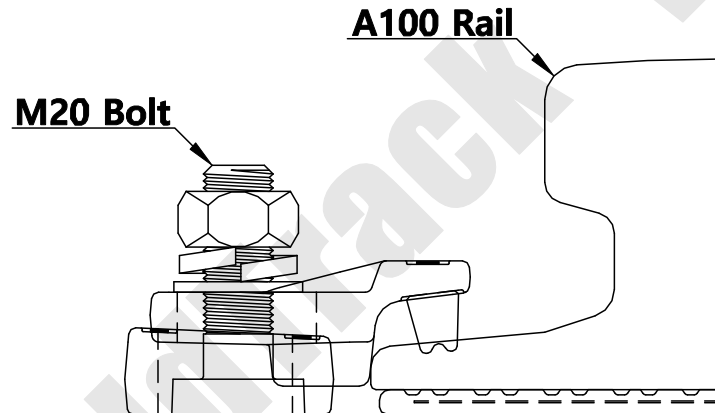


A100 Clip



WORLD TRACK

TEL : 82)2-2605-2380
 FAX : 82)2-2601-2382
<http://www.world-track.net>
 E-Mail: world-track@hanmail.net

Clip Designation	100/DDR-PY-T3/3625	Drawing Number	C/DDR-160
Clip Type	Double Double Rubber	Checked By	Lee Se Wan
Fixing Method	Bolted Clip	Date	2016 / 02 / 29
Accessory List		Scale	1 / 1 A4
Clip(상), Clip(하) / Rubber		ANGLE PROJECTION	
Bolt / Nut / Spring Washer / Washer			

THE TECHNICAL DATA CONTAINED IN THIS DRAWING IS PROPERTY OF WORLD TRACK LIMITED AND IS SUBJECT TO COPYRIGHT