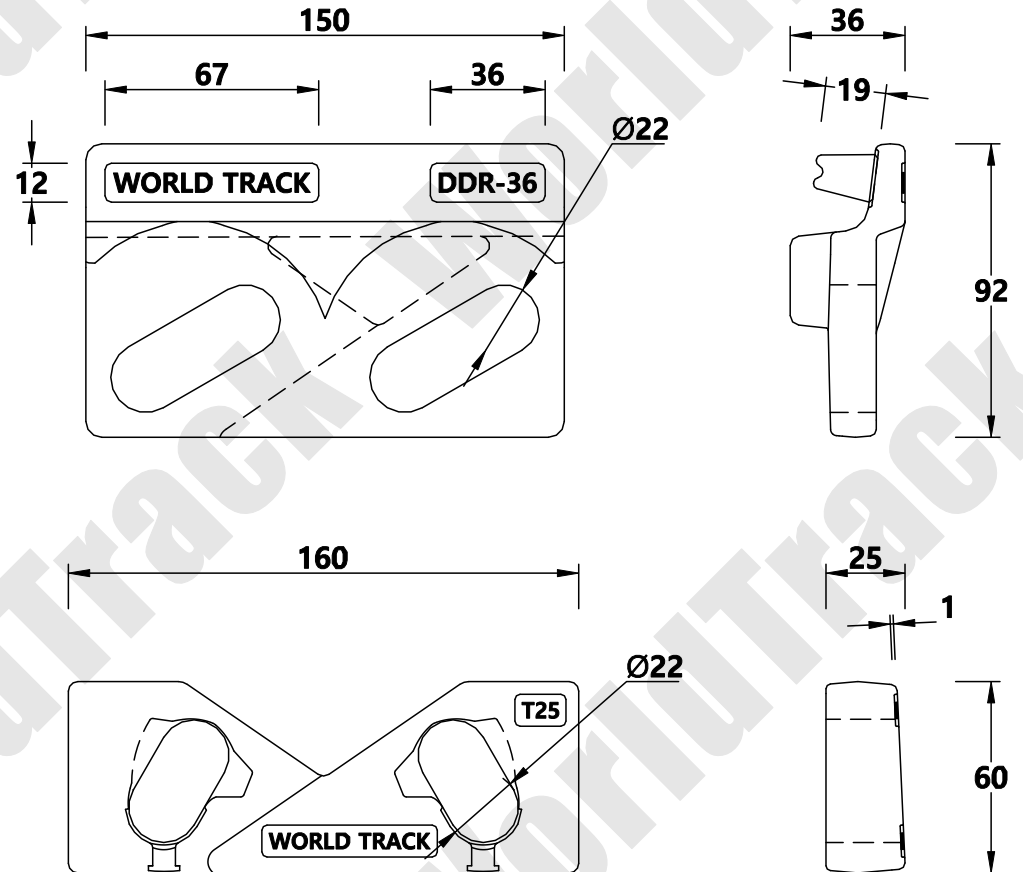
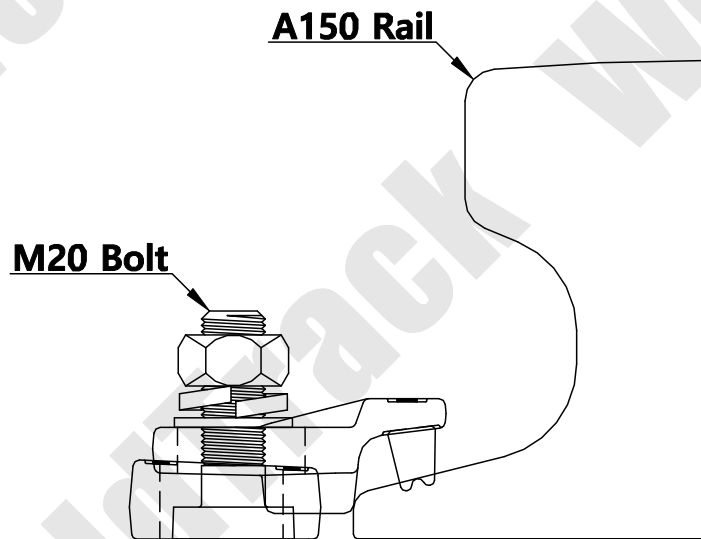


# A150 Clip



**WORLD TRACK**

THE TECHNICAL DATA CONTAINED IN THIS DRAWING IS PROPERTY OF WORLD TRACK LIMITED AND IS SUBJECT TO COPYRIGHT

**WORLD TRACK**

TEL : 82)2-2605-2380  
 FAX : 82)2-2601-2382  
<http://www.world-track.net>  
 E-Mail: world-track@hanmail.net

|                                     |                      |
|-------------------------------------|----------------------|
| Clip Designation                    | 150/DDR-PN-T3/3625   |
| Clip Type                           | Double Double Rubber |
| Fixing Method                       | Bolted Clip          |
| Accessory List                      |                      |
| Clip(상), Clip(하) / Rubber           |                      |
| Bolt / Nut / Spring Washer / Washer |                      |

|                |                |
|----------------|----------------|
| Drawing Number | C/DDR-205      |
| Checked By     | Lee Se Wan     |
| Date           | 2016 / 02 / 29 |
| Scale          | 1 / 1 A4       |

**ANGLE PROJECTION**