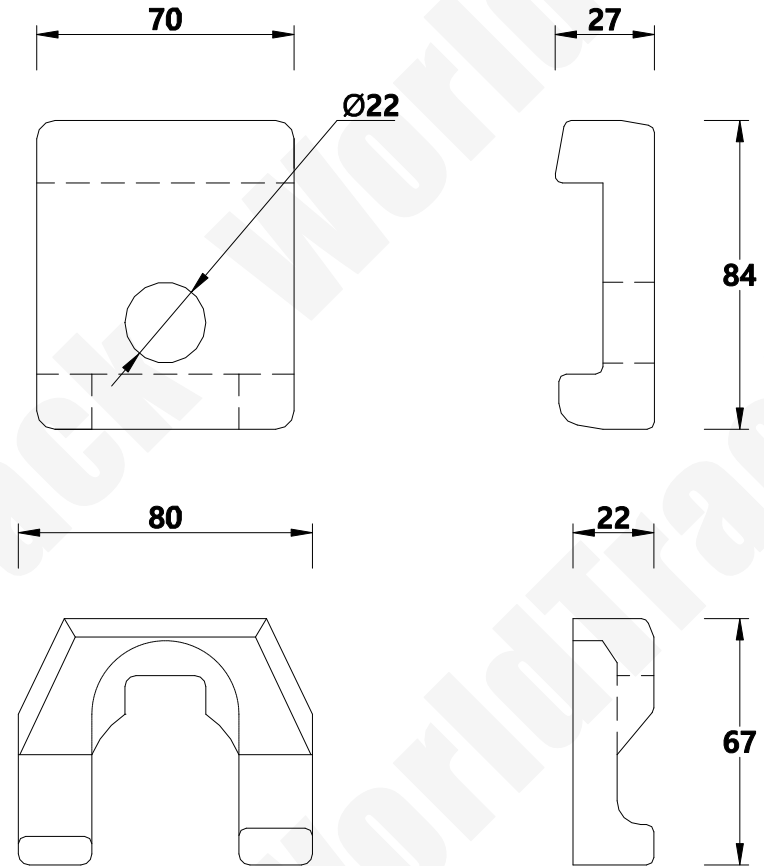
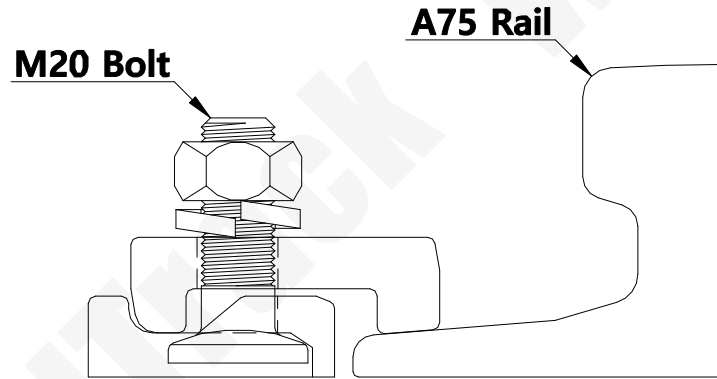


A75 Clip



WORLD TRACK

THE TECHNICAL DATA CONTAINED IN THIS DRAWING IS PROPERTY OF WORLD TRACK LIMITED AND IS SUBJECT TO COPYRIGHT

WORLD TRACK

TEL : 82)2-2605-2380
 FAX : 82)2-2601-2382
<http://www.world-track.net>
 E-Mail: world-track@hanmail.net

| | | | |
|---|------------------|-------------------------|----------------|
| Clip Designation | 75/DS-PN-T1/2722 | Drawing Number | C/DS-265 |
| Clip Type | Double Single | Checked By | Lee Se Wan |
| Fixing Method | Bolted Clip | Date | 2016 / 01 / 21 |
| Accessory List | | Scale | 1 / 1 A4 |
| Clip(상), Clip(하) Bolt / Nut / Spring Washer / Washer | | ANGLE PROJECTION | |