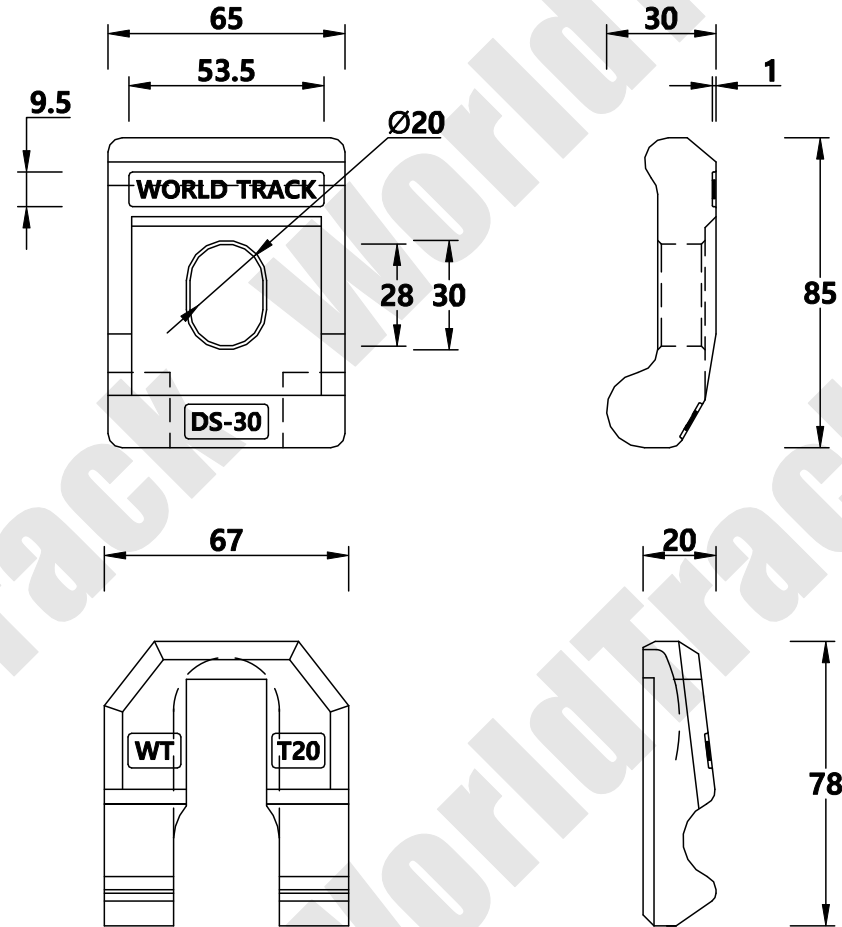
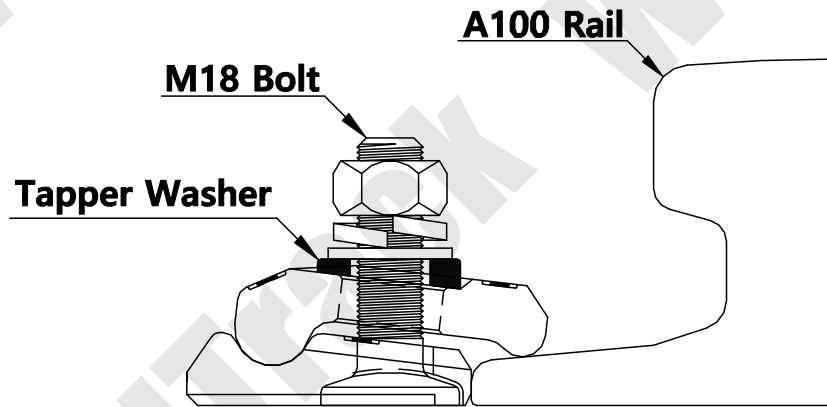


A100 Clip



WT WORLD TRACK

THE TECHNICAL DATA CONTAINED IN THIS DRAWING IS PROPERTY OF WORLD TRACK LIMITED AND IS SUBJECT TO COPYRIGHT

WORLD TRACK

TEL : 82)2-2605-2380
FAX : 82)2-2601-2382
<http://www.world-track.net>
E-Mail: world-track@hanmail.net

Clip Designation

100/DS-PN-T2/3020

Drawing Number

C/DS-275

Clip Type

Double Single

Checked By

Lee Se Wan

Fixing Method

Bolted Clip

Date

2016 / 01 / 21

Accessory List

Clip(상), Clip(하) / Bolt / Nut
Spring Washer / Tapper Washer / Washer

Scale

1 / 1 A4

ANGLE PROJECTION