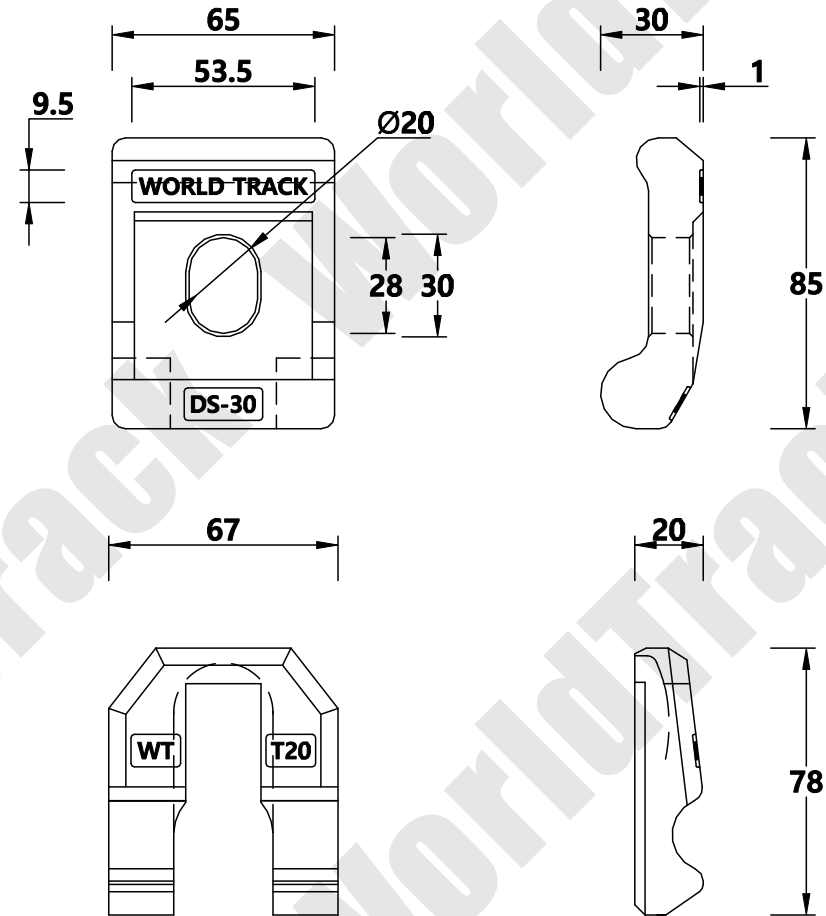
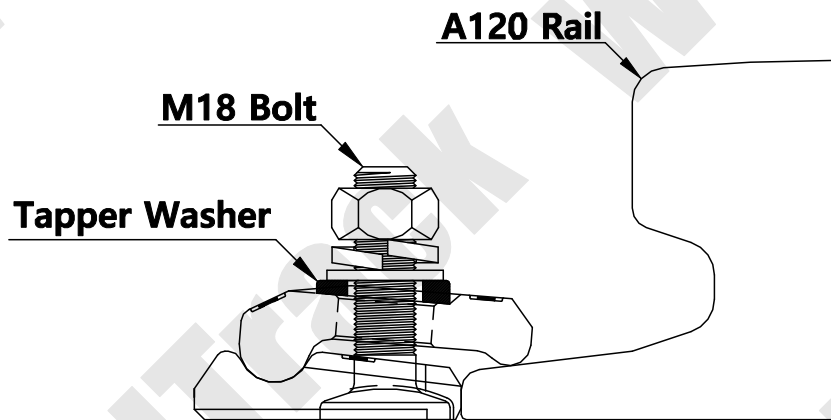


A120 Clip



WORLD TRACK

THE TECHNICAL DATA CONTAINED IN THIS DRAWING IS PROPERTY OF WORLD TRACK LIMITED AND IS SUBJECT TO COPYRIGHT

WORLD TRACK

TEL : 82)2-2605-2380
 FAX : 82)2-2601-2382
<http://www.world-track.net>
 E-Mail: world-track@hanmail.net

Clip Designation	120/DS-PN-T2/3020	Drawing Number	C/DS-295
Clip Type	Double Single	Checked By	Lee Se Wan
Fixing Method	Bolted Clip	Date	2016 / 01 / 21
Accessory List	Clip(상), Clip(하) / Bolt / Nut Spring Washer / Tapper Washer / Washer		

Scale	1 / 1	A4
-------	-------	----

ANGLE PROJECTION