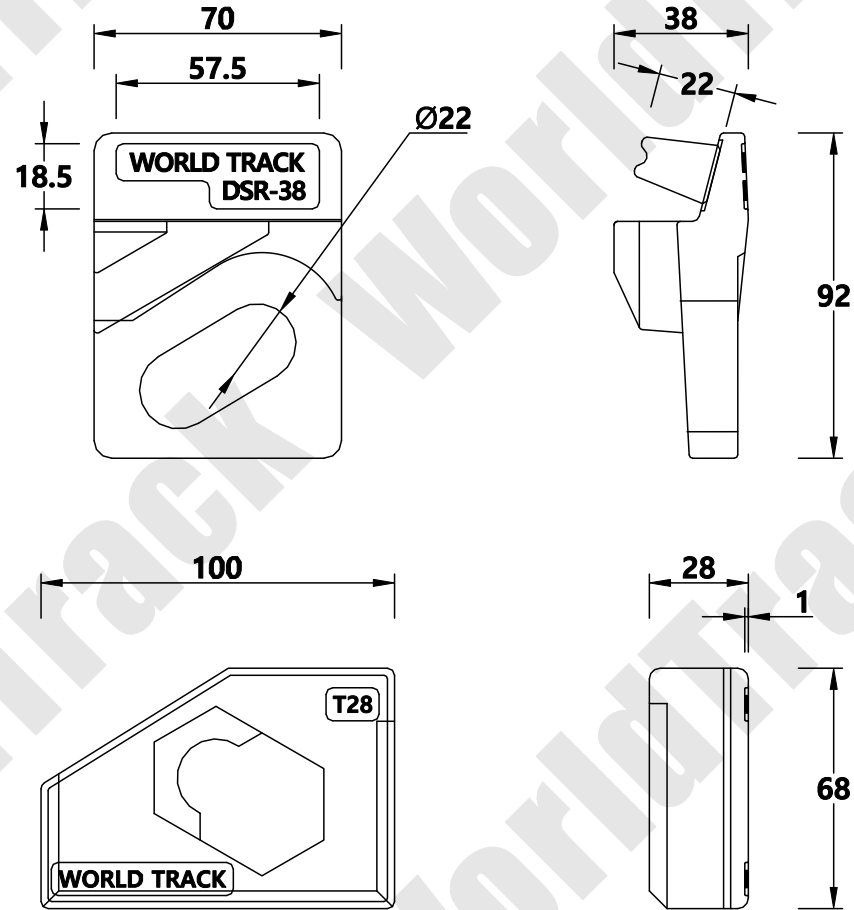
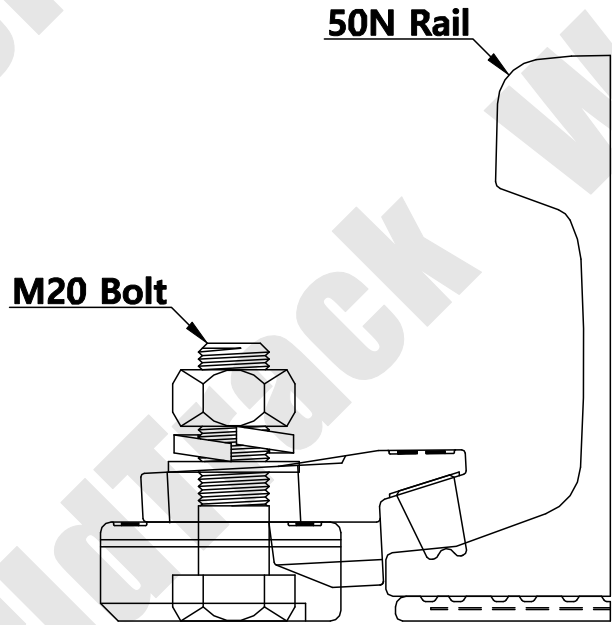


# 50N Clip

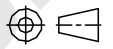


**WORLD TRACK**

THE TECHNICAL DATA CONTAINED IN THIS DRAWING IS PROPERTY OF WORLD TRACK LIMITED AND IS SUBJECT TO COPYRIGHT

**WORLD TRACK**

TEL : 82)2-2605-2380  
 FAX : 82)2-2601-2382  
<http://www.world-track.net>  
 E-Mail: world-track@hanmail.net

|  |                      |   |                |
|--|----------------------|---|----------------|
| Clip Designation   | 50/DSR-PY-T1/3828    | Drawing Number  | C/DSR-045      |
| Clip Type  | Double Single Rubber | Checked By  | Lee Se Wan     |
| Fixing Method  | Bolted Clip          | Date  | 2016 / 01 / 25 |
| Accessory List   |                      | Scale   | 1 / 1 A4       |
| Clip(상), Clip(하) / Rubber<br>Bolt / Nut / Spring Washer / Washer |                      | <b>ANGLE PROJECTION</b>  |                |