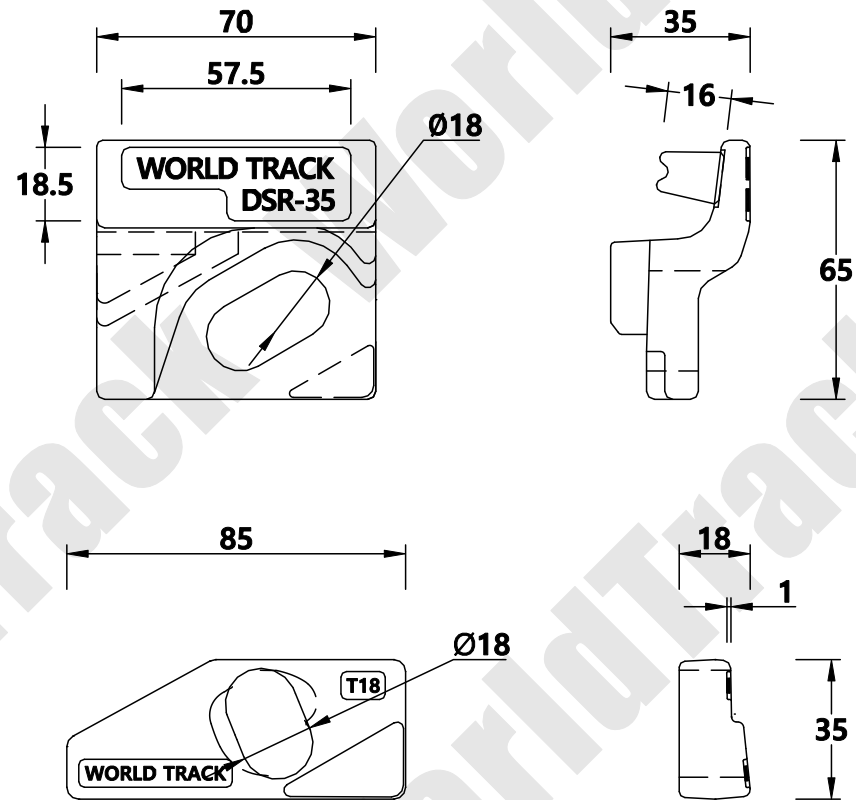
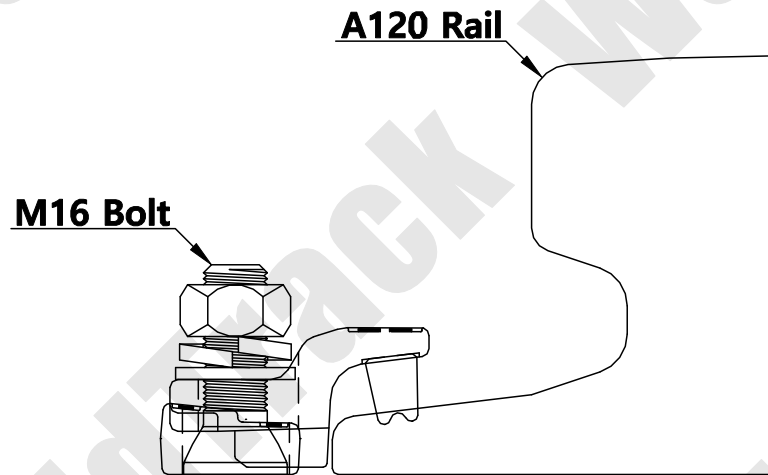


A120 Clip

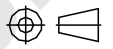


WORLD TRACK

THE TECHNICAL DATA CONTAINED IN THIS DRAWING IS PROPERTY OF WORLD TRACK LIMITED AND IS SUBJECT TO COPYRIGHT

WORLD TRACK

TEL : 82)2-2605-2380
 FAX : 82)2-2601-2382
<http://www.world-track.net>
 E-Mail: world-track@hanmail.net

Clip Designation	120/DSR-PN-T2/3518	Drawing Number	C/DSR-180
Clip Type	Double Single Rubber	Checked By	Lee Se Wan
Fixing Method	Bolted Clip	Date	2016 / 01 / 25
Accessory List		Scale	1 / 1 A4
Clip(상), Clip(하) / Rubber		ANGLE PROJECTION 	
Bolt / Nut / Spring Washer / Washer			