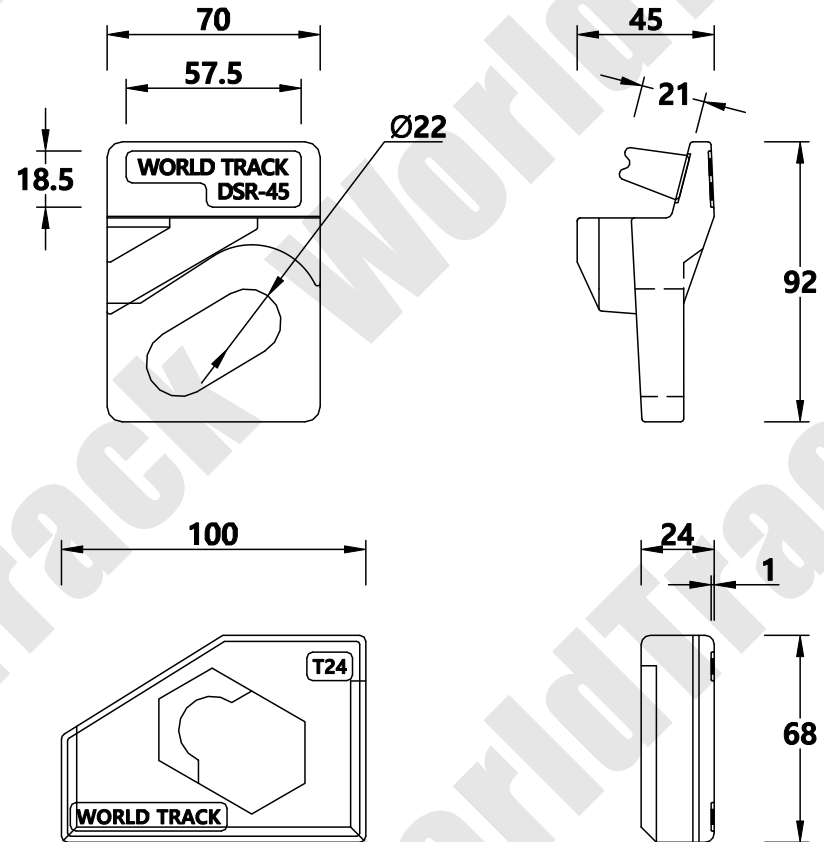
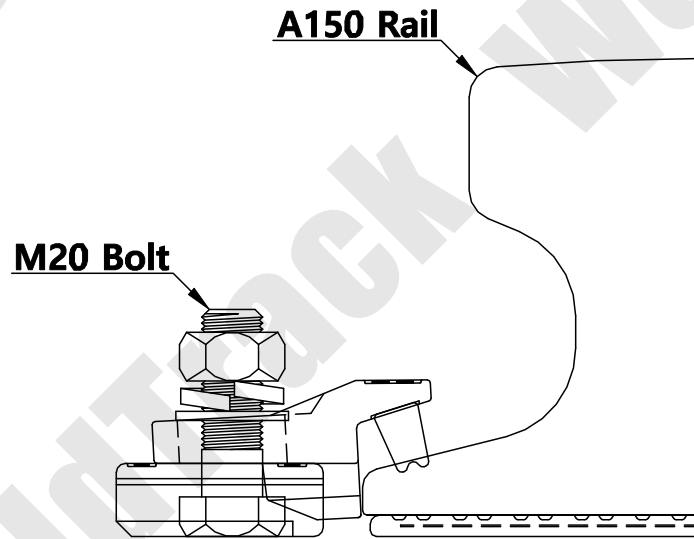


# A150 Clip



**WORLD TRACK**

THE TECHNICAL DATA CONTAINED IN THIS DRAWING IS PROPERTY OF WORLD TRACK LIMITED AND IS SUBJECT TO COPYRIGHT

**WORLD TRACK**

TEL : 82)2-2605-2380  
 FAX : 82)2-2601-2382  
<http://www.world-track.net>  
 E-Mail: world-track@hanmail.net

Clip Designation	150/DSR-PY-T1/4524
Clip Type	Double Single Rubber
Fixing Method	Bolted Clip
Accessory List	
Clip(상), Clip(하) / Rubber Bolt / Nut / Spring Washer / Washer	

Drawing Number	C/DSR-195
Checked By	Lee Se Wan
Date	2016 / 01 / 25
Scale	1 / 1 A4

**ANGLE PROJECTION**