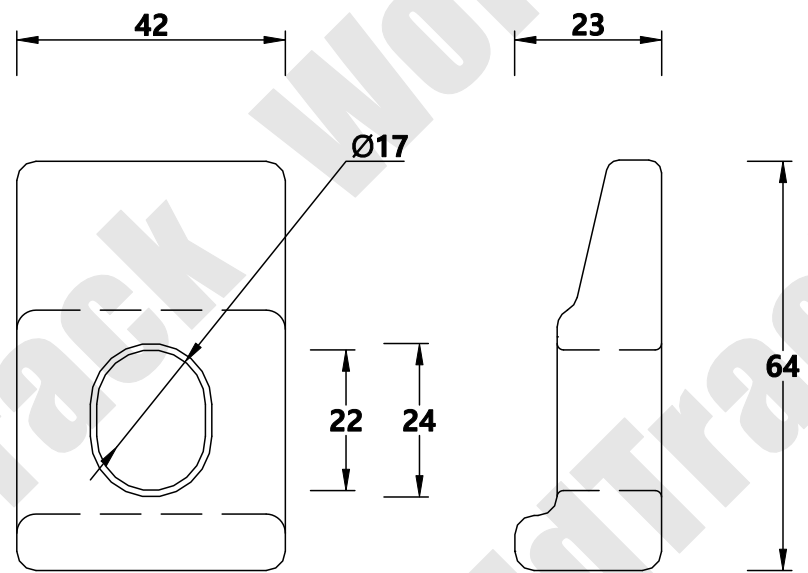
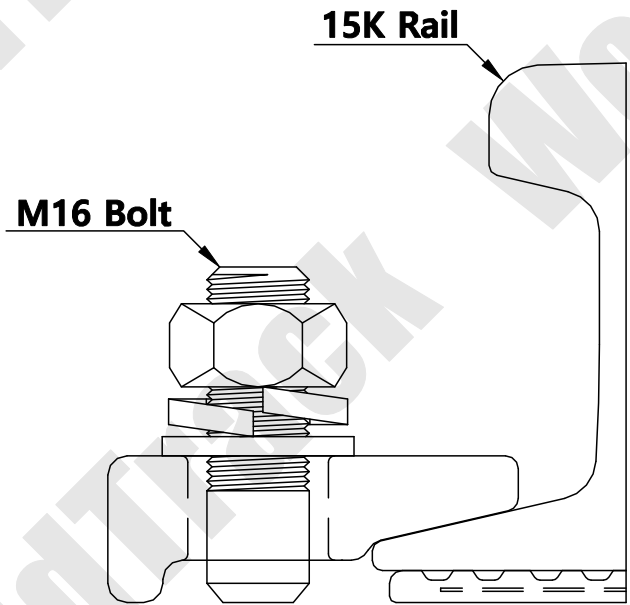


15K Clip



WORLD TRACK

WORLD TRACK

TEL : 82)2-2605-2380
 FAX : 82)2-2601-2382
<http://www.world-track.net>
 E-Mail: world-track@hanmail.net

Clip Designation	15/SB-PY-T1/23	Drawing Number	C/SB-015
Clip Type	Single Bolt	Checked By	Lee Se Wan
Fixing Method	Bolted Clip	Date	2016 / 01 / 14
Accessory List	Clip		Scale
	Bolt / Nut / Spring Washer / Washer		1 / 1 A4
			ANGLE PROJECTION

THE TECHNICAL DATA CONTAINED IN THIS DRAWING IS PROPERTY OF WORLD TRACK LIMITED AND IS SUBJECT TO COPYRIGHT