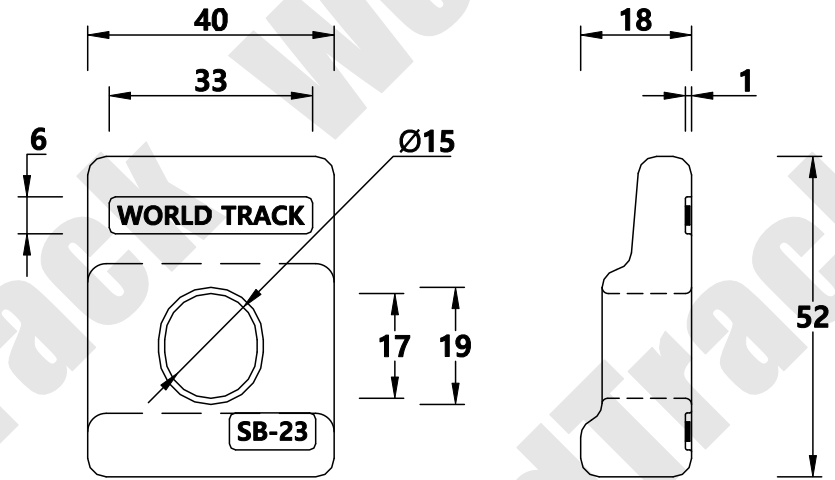
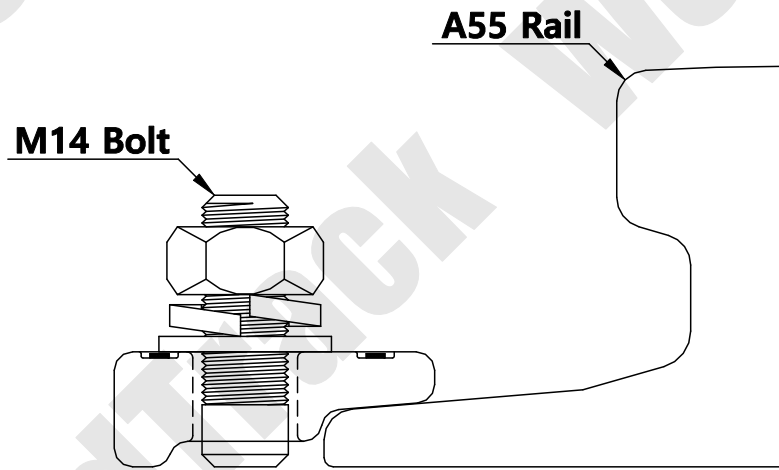


# A55 Clip



**WORLD TRACK**

THE TECHNICAL DATA CONTAINED IN THIS DRAWING IS PROPERTY OF WORLD TRACK LIMITED AND IS SUBJECT TO COPYRIGHT

**WORLD TRACK**

TEL : 82)2-2605-2380  
 FAX : 82)2-2601-2382  
<http://www.world-track.net>  
 E-Mail: world-track@hanmail.net

|                                     |                |                         |                |
|-------------------------------------|----------------|-------------------------|----------------|
| Clip Designation                    | 55/SB-PN-T1/18 | Drawing Number          | C/SB-150       |
| Clip Type                           | Single Bolt    | Checked By              | Lee Se Wan     |
| Fixing Method                       | Bolted Clip    | Date                    | 2016 / 01 / 14 |
| Accessory List                      |                | Scale                   | 1 / 1 A4       |
| Clip                                |                | <b>ANGLE PROJECTION</b> |                |
| Bolt / Nut / Spring Washer / Washer |                |                         |                |