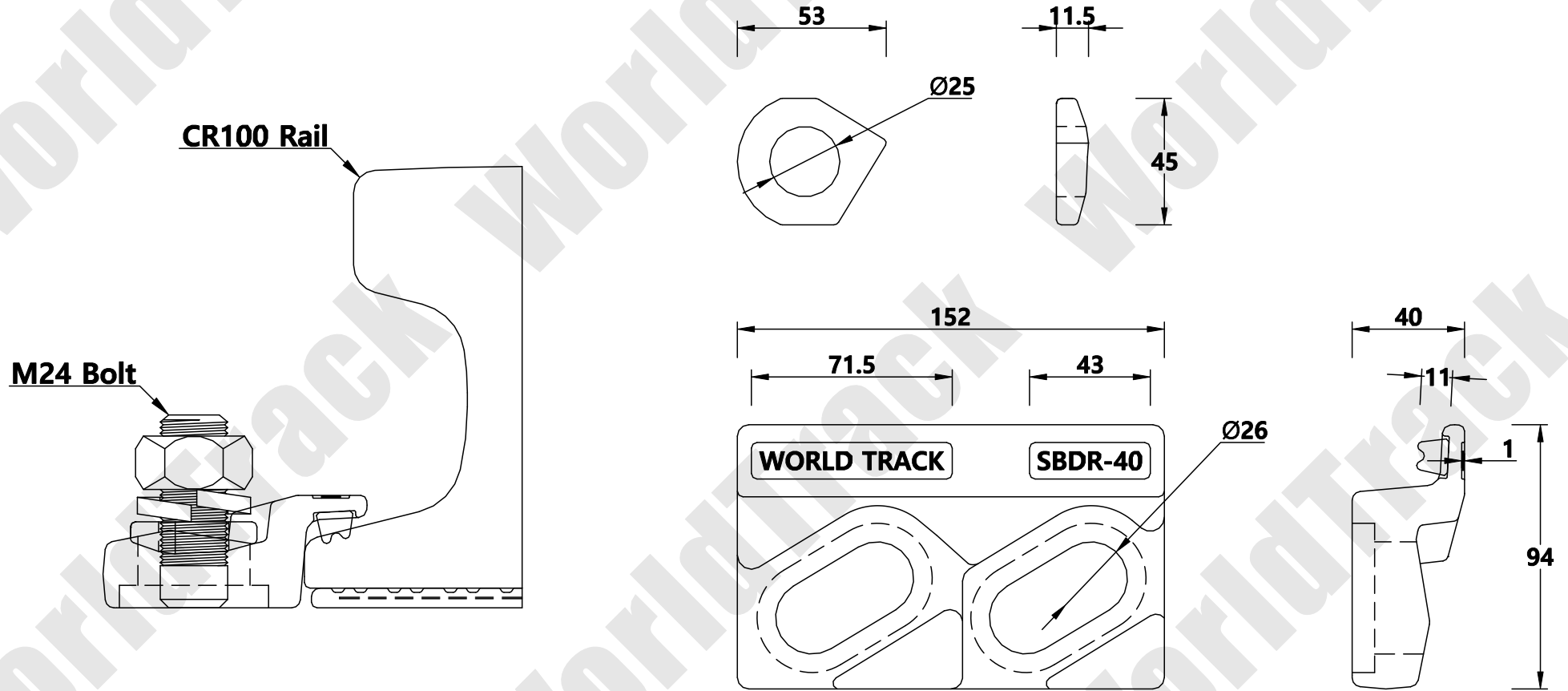


CR100 Clip




WORLD TRACK

THE TECHNICAL DATA CONTAINED IN THIS DRAWING IS PROPERTY OF WORLD TRACK LIMITED AND IS SUBJECT TO COPYRIGHT

WORLD TRACK

TEL : 82)2-2605-2380
 FAX : 82)2-2601-2382
<http://www.world-track.net>
 E-Mail: world-track@hanmail.net

| | | | |
|---|---------------------------|---|----------------|
| Clip Designation | 100/SBDR-PY-T1/40 | Drawing Number | C/SBDR-050 |
| Clip Type | Single Bolt Double Rubber | Checked By | Lee Se Wan |
| Fixing Method | Bolted Clip | Date | 2016 / 03 / 08 |
| Accessory List | | Scale | 1 / 1 A4 |
| Clip | | ANGLE PROJECTION  | |
| Bolt / Nut / Special Washer / Spring Washer | | | |