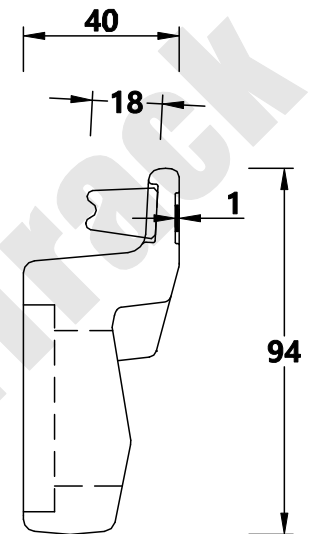
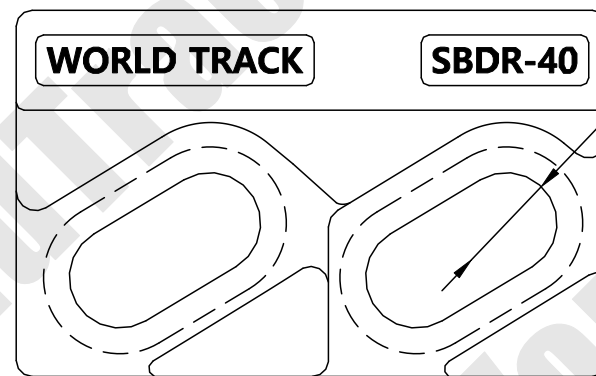
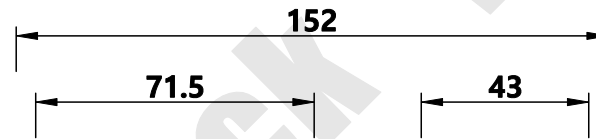
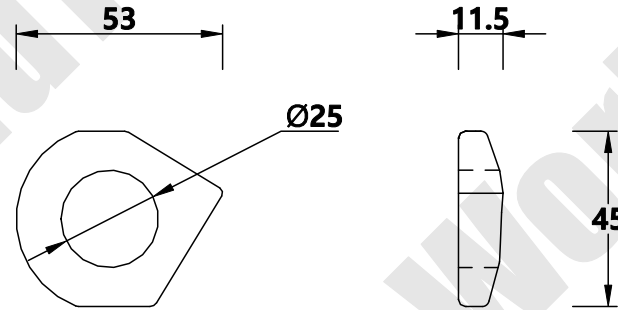
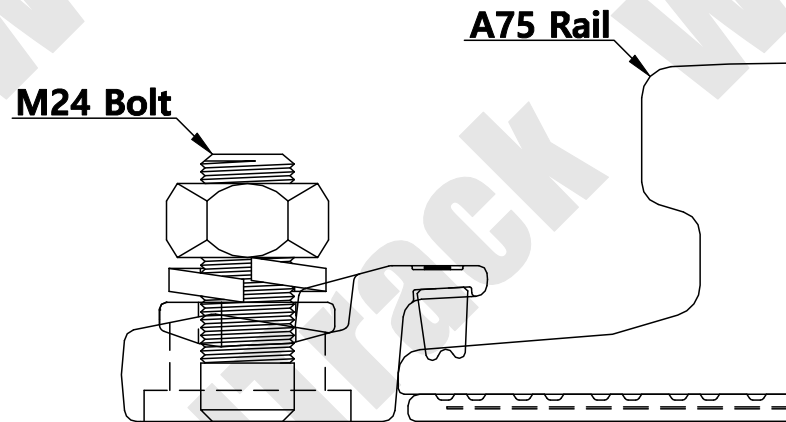


A75 Clip



WORLD TRACK

THE TECHNICAL DATA CONTAINED IN THIS DRAWING IS PROPERTY OF WORLD TRACK LIMITED AND IS SUBJECT TO COPYRIGHT

WORLD TRACK

TEL : 82)2-2605-2380
 FAX : 82)2-2601-2382
<http://www.world-track.net>
 E-Mail: world-track@hanmail.net

Clip Designation

75/SBDR-PY-T1/40

Drawing Number

C/SBDR-060

Clip Type

Single Bolt Double Rubber

Checked By

Lee Se Wan

Fixing Method

Bolted Clip

Date

2016 / 03 / 08

Accessory List

Scale

1 / 1 A4

Clip

Bolt / Nut / Special Washer / Spring Washer

ANGLE PROJECTION

